

# JESUS ON TRIAL

THE GOSPEL OF JOHN 5-8



## BIG IDEA (KNOW THIS)

Jesus is the bread of life.

## APPLICATION (LIVE LIKE THIS)

Believe Jesus is all we really need.

# W4. BREAD OF LIFE

# MIDDLE

### MEMORY VERSE

[Jesus said:]

**“What I’m about to tell you is true.**

**Anyone who hears my word and believes him who sent me has eternal life. They will not be judged. They have crossed over from death to life.”**

- John 5:24

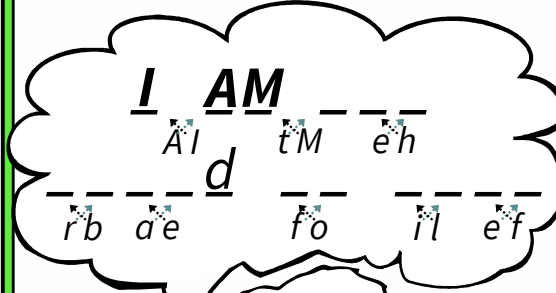
### BIBLE BITS

John 6:22-40

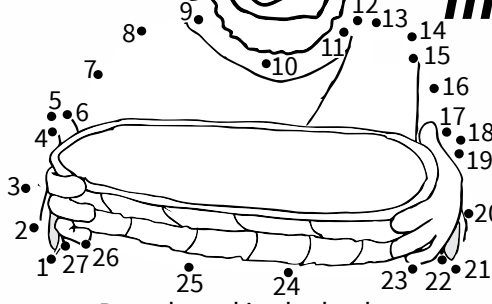
### QUESTIONS

1. What were the people looking for?
2. What did Jesus tell them they need?
3. Jesus says “Whoever comes to me will never be hungry and never be thirsty” – What does that mean in your everyday life?

Who did Jesus say he was? Swap the letters and write them on the lines below.



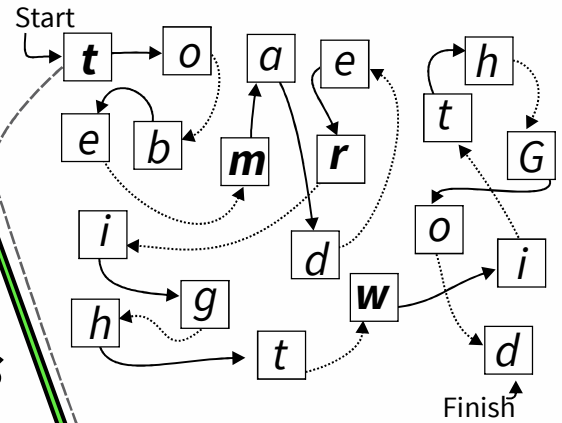
Connect the dots. Colour the picture.



Draw bread in the basket.

**this means**

Follow the arrows to read the message. Then write it on the lines below. The letters in **BOLD** have already been placed for you.



**Jesus gives us all we need**

**t \_ \_ \_ m \_ \_ \_**  
**r \_ \_ \_ w \_ \_ \_**

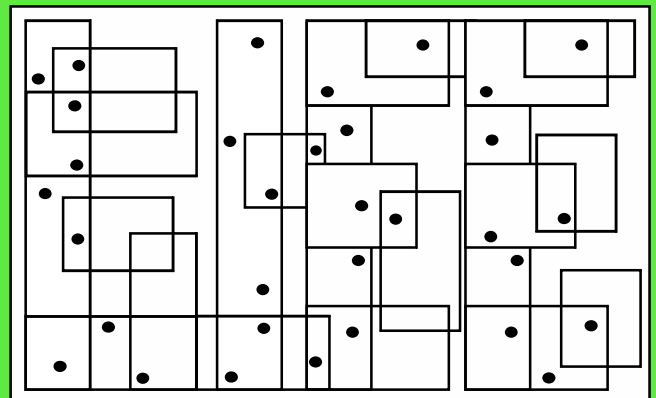
Find the bold words in the word search:

**What I'm about to tell you is true. Anyone who hears my word and believes him who sent me has eternal life. They will not be judged.**

A	N	Y	O	N	E	I	'	M
L	E	J	U	D	G	E	D	
M	Y	T	A	B	O	U	T	
A	N	D	E	S	E	N	T	
T	E	L	L	R	W	H	O	
H	E	A	R	S	N	I	S	
B	E	W	H	A	T	A	C	
Y	O	U	L	I	F	E	L	
W	H	O	W	O	R	D	T	
T	H	E	Y	N	O	T	R	
W	I	L	L	H	I	M	U	
M	E	T	O	H	A	S	E	
B	E	L	I	E	V	E	S	

Colour the shapes that have dots then read the message.

**Jesus wants us to know he is the bread that gives...**



**to the world.**